

VT4-L / GDLC

LED VAPOUR TIGHT LINEAR FIXTURE FOR GARAGE

Project: _____
 Type: _____
 Catalogue #: _____
 Drawn by: _____
 Date: _____

The Stanpro VT4-L/GDLC is designed specifically for indoor garage spaces where light levels, security and energy savings are top priority. The VT4-L/GDLC's gear tray is designed to direct the right amount of vertical and horizontal light maximizing lighting distribution in garage applications, increasing safety, light levels and reducing glare typically found in other vapour proof fixtures. Installed either indoors or outside, the VT4-L/GDLC provides superior light distribution. Intended for applications where moisture and/or dust may be present.

APPLICATIONS:

- Garages
- Industrial facilities
- Retail parking areas
- Airports

FEATURES AND SPECIFICATIONS

• Construction

Housing

- Lightweight, flexible and durable polycarbonate construction makes the luminaire vandal resistant and highly impact resistant
- The housing is sealed with a uniform gasket that blocks the ingress of moisture and dust and reinforced snap clips lock the luminaire together
- Row mount aligners molded into housing ends
- Sealed strain relief/cable gland kit included

Lens

The UV stabilized polycarbonate lens with LED diffusing pigment is impervious to rust or rot and is unaffected by extreme temperatures

• Specifications

- Easy to clean and service
- LED technology for long term energy savings

Driver

- 120V-277V and 347V
- 0-10V dimming driver standard

Ambient temperature

S3: -20°C to +25°C standard.

Mounting

Stainless steel mounting hardware for wall, ceiling or suspended mounting.

• Compliances

- Suitable for damp & wet locations
- IP65
- Meets requirements of ICES-005 issue 4 for class A products
- ETL



damp location



wet location



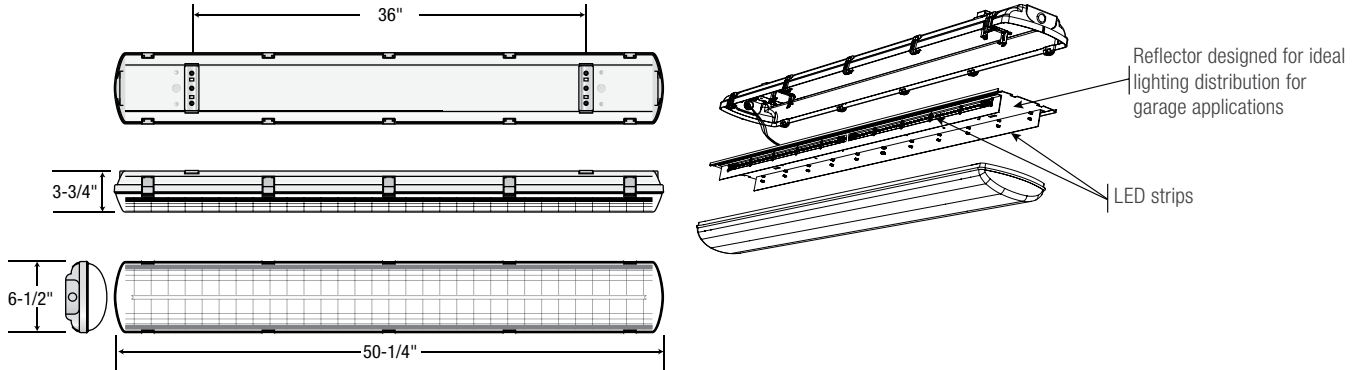
ICES 005



OVERVIEW

Wattage	80W
Lumens	6200lm
Lm/W	77.5lm/W
Colour temperature	3500K, 4000K, 5000K
CRI	80+
Ambient temperature	-20°C to +25°C
Construction	Polycarbonate housing/lens/clips and stainless steel mounting hardware
Mounting	Surface, suspended

DIMENSIONS



ORDERING GUIDE

Series	Lamp type	Lumen package delivered	Voltage	Colour temperature	Options	Options
VT4	L - LED	S3 - 6200 lumens (80W)	H - 347V W - 120-277V	35K - 3500K 40K - 4000K (standard) 50K - 5000K	GDLC - Garage geartray	L6 - 6' cable length L10 - 10' cable length SS - Stainless steel latches OS - Occupancy sensor * KV - 10kV Surge protector TP - Vandal resistant screws

* To see available options, please consult the occupancy sensors section.

Comments

OCCUPANCY SENSORS
ON-OFF SENSORS

Detection - On at (Detection Area) % during (Hold Time) min. Off

Part number	Position	Voltage	Technology	Height	Detection Area	Hold time	Daylight min level	Remote*	Location
OSE-PO-0301	External	120-347V	PIR	20-40ft	100%	20min	NA		Dry, -10°C to 70°C
OSE-PO-0302	External	120-347V	PIR	20-40ft	100%	20min	NA		Dry, -40°C to 4°C
OSE-PO-0501	External	120-347V	PIR	15-40ft	100%	15min	3000 lux	OSI-FSIR-100	Dry, 0°C to 70°C
OSE-PO-0502	External	120-347V	PIR	15-40ft	100%	15min	3000 lux		Dry, 0°C to 70°C
OSE-PO-0701	External	120-277V	PIR	20ft	100%	15min	NA		Wet, -40°C to 70°C
OSI-FO-0301	Internal	120-277V	High Frequency	32ft max	100%	20min	Disable		Dry and wet, -25°C to 60°C
OSI-FO-0601	Internal	120-347V	High Frequency	25ft max	100%	30min	Disable	OSI-RC-MH02	Dry and wet, -35°C to 70°C
OSI-FO-0602	Internal	120-347V	High Frequency	25ft max	100%	15min	Disable	OSI-RC-MH02	Dry and wet, -35°C to 70°C
OSI-FO-0603	Internal	120-347V	High Frequency	25ft max	100%	15min	100 lux	OSI-RC-MH02	Dry and wet, -35°C to 70°C

* To be ordered separately

BI-LEVEL SENSORS

Detection - On at (Detection Area) % during (Hold Time) min., then (Stand-by Dim level) %

Part number	Position	Voltage	Technology	Height	Detection Area	Hold time	Stand-by Dim level	Daylight min level	Remote*	Location
OSI-FB-0301	Internal	120-277V	High Frequency	32ft max	100%	20min	30%	Disable		Dry and wet, -25°C to 60°C
OSI-FB-0302	Internal	120-277V	High Frequency	32ft max	100%	20min	10%	Disable		Dry and wet, -25°C to 60°C
OSI-FB-0303	Internal	120-277V	High Frequency	32ft max	100%	20min	50%	Disable		Dry and wet, -25°C to 60°C
OSE-FB-0402	External	120-347V	High Frequency	50ft max	100%	20min	30%	50 lux	OSI-RC-MH02	Wet, -35°C to 55°C
OSI-FB-0603	Internal	120-347V	High Frequency	25ft max	100%	15min	40%	Disable	OSI-RC-MH02	Dry and wet, -35°C to 70°C
OSI-FB-0604	Internal	120-347V	High Frequency	25ft max	100%	30min	40%	Disable	OSI-RC-MH02	Dry and wet, -35°C to 70°C
OSI-FB-0605	Internal	120-347V	High Frequency	25ft max	100%	15min	30%	Disable	OSI-RC-MH02	Dry and wet, -35°C to 70°C
OSI-FB-0606	Internal	120-347V	High Frequency	25ft max	100%	15min	10%	Disable	OSI-RC-MH02	Dry and wet, -35°C to 70°C

* To be ordered separately

TRI-LEVEL SENSORS

Detection - On at (Detection Area) % during (Hold Time) min., then (Stand-by Dim level) % during (Stand-by period) min. Off

Part number	Position	Voltage	Technology	Height	Detection Area	Hold time	Stand-by Dim level	Stand-by period	Daylight min level	Remote*	Location
OSI-FT-0301	Internal	120-277V	High Frequency	32ft max	100%	20min	30%	10min	Disable		Dry and wet, -25°C to 60°C
OSE-FT-0402	External	120-347V	High Frequency	50ft max	100%	30min	30%	10min	50 lux	OSI-RC-MH02	Wet, -35°C to 55°C
OSI-FT-0601	Internal	120-347V	High Frequency	25ft max	100%	30min	30%	10min	Disable	OSI-RC-MH02	Dry and wet, -35°C to 70°C

* To be ordered separately

stanprols.com/documentation/technical-information

All products are subject to change or may be discontinued any time without notice.

Please consult our chemical resistance guide to ensure selection of the proper product for your application.