

# TG03

## PAR30S – FRONT LOAD

75W max.



### DESCRIPTION

Front loaded robust die cast PAR30S Gimbal style track head. Integral on/off switch and track polarity indicator come standard. The TG03 comes complete with J & J2 style track adapter. H & H2, L & L2 style adapters available upon request.

### SPECIFICATIONS

**Material**

Heavy duty die cast housing designed for cooler operation.

**Aiming**

The secure yoke provides precision aiming without the need for tools.

**Lamps**

Incandescent or LED (**lamp not included**)

Max 50W-E26 medium base PAR30S style lamps.

**Finishes**

Heavy duty scratch resistant powder coated. Available in glossy white and silver.

**Accessories**

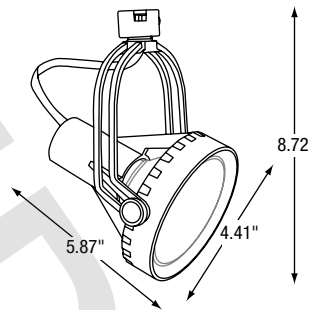
Line voltage extensions (12", 18", 24", 36") are available. Please refer to the "tracks and accessories" pages for ordering guide.

**Adapter**

Track heads with "J" adapter are classified to be used with Stanpro STJ track series, Juno T or TU track series and Prescolite TS or TT track series.

Track heads with "H" adapter are classified to be used with Stanpro STH track series and Cooper Lighting L641/2/3 track series. Track heads with "L" adapter are classified to be used with Lightolier Fast Track/Basic track series.

### DIMENSIONS



### ORDERING GUIDE

Series	Lamp type	Wattage	Voltage	Adapter	Fixture color
<b>TG03</b>	<b>N</b> - Incandescent	<b>0075</b> - 75W max.	<b>A</b> - 120V	<b>J</b> - J & J2 Track (standard) <b>H</b> - H & H2 Track <b>L</b> - L & L2 Track	<b>WH</b> - White <b>SI</b> - Silver

\* Please consult the liquidation page for applicable configurations