

DOME - RDS

4" LED RECESSED DOWNLIGHT WITH ADJUSTABLE TRIM

Our 4" LED recessed downlight with adjustable trim is available for Non-IC and remodeler construction and is suitable for all commercial lighting applications. The RDS comes in a variety of lumen packages, colour temperatures and beam angles to suit your needs.

FEATURES AND SPECIFICATIONS

• Construction

Housing

Housing constructed of heavy duty galvanized steel with built-in thermal protection.

Trim

Trims constructed with cold rolled steel. Available in white and black.

LED

Colour temperatures available in 2700K, 3000K, 3500K & 4000K, with a choice of 80+ CRI and 90+ CRI.

Driver

120V, 277V or 347V, 0-10V dimming standard.

Optics/lens

Standard lens that allows for desired beam angles.

Aiming

- 58° maximum tilt
- 270° rotation

Lumens

800lm, 1000lm and 1500lm

Beams

- Spot (16°)
- Narrow Flood (24°)
- Flood (36°)

Reflectors

Plastic lens.

• Compliances

- cCSAus listed for damp location
- Photometric testing in compliance with IES LM79-80
- ICES 005

List of compatible dimmers (0-10V dimming)	
LEGRAND	CD4FBW WS4FBL3P
LEVITON	IP710-DLZ IP710DLX CFCS DS710
LUTRON	NOVA NFTV T NTSTV DIVA DDTV DVSCTV
WATTSTOPPER	ADF-120277

Project: _____
 Type: _____
 Catalogue #: _____
 Drawn by: _____
 Date: _____



LED
fixture



damp
location



dimnable
fixture



ICES
005



OVERVIEW

Light source	LED
Wattage	9W - 22W
Lumens*	817lm - 1504lm
Lm/W	74.33lm/W - 87.3lm/W
Colour temperature	2700K, 3000K, 3500K, 4000K
CRI	80+ and 90+
Weight	2.65lbs - 3.72lbs

* Lumen information is based on narrow flood beam reflector, 3000K colour temperature and 80+ CRI.

ORDERING GUIDE - TRIMS

Series	Lumen package	CRI	Trim colour	Colour temperature	Beam angle**
RDS	08 - 800 lumens 10 - 1000 lumens 15 - 1500 lumens	80 - 80+ 90 - 90+	W - White B* - Black	27K - 2700K 30K - 3000K 35K - 3500K 40K - 4000K	S - Spot N - Narrow flood F - Flood

* Available on request, please contact factory.
** Refer to Beam distribution chart for more details.

ORDERING GUIDE - HOUSINGS

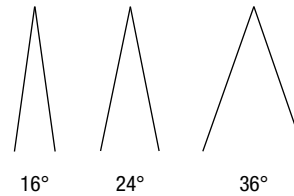
Series	Lumen package*	Voltage
RDS - Non IC	08**	A - 120V
RDSRM - Remodeler	10	E - 277V
	15	H - 347V

* Please note that each housing and trim should correspond to a specific lumen package. For more information, please see Trims Ordering Guide above.
** Only available in 120V or 277V.

TM21 TABLE

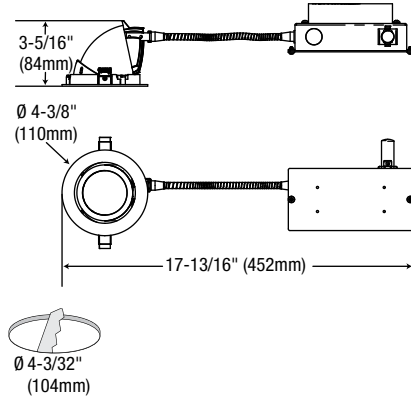
Time (t) at which to estimate lumen maintenance (hours)	50,000
Lumen maintenance at time (t) (%)	94.56%
Calculated L70 (hours)	452,600
Reported L70 (hours)	36,000

BEAM DISTRIBUTION CHART

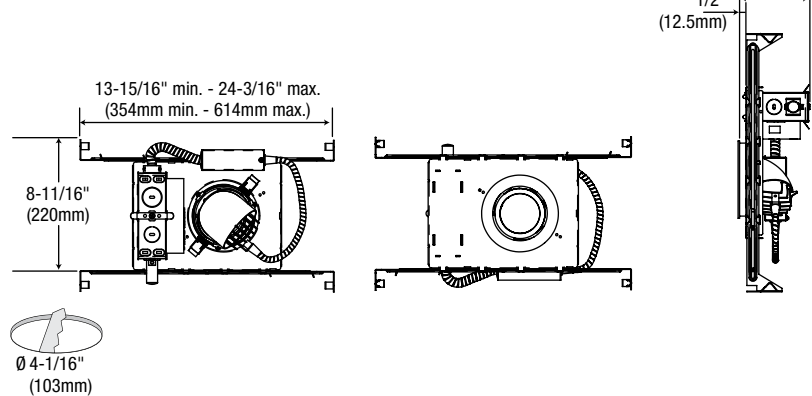


DIMENSIONS

**RDSRM
REMODELER**



**RDS
NON-IC FRAME-IN KIT**

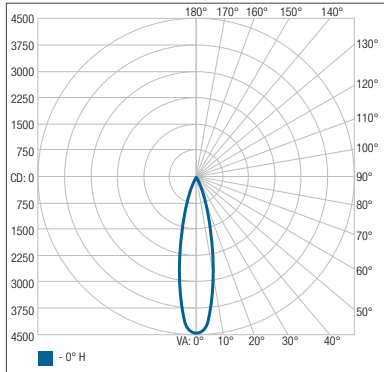


Comments

PHOTOMETRIC DATA

RDS-0880-XX-30K-N • 916.2lm

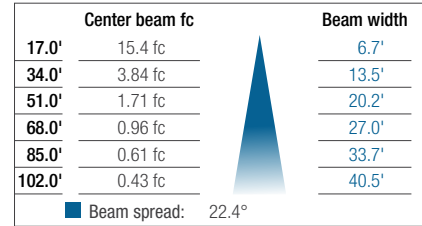
Polar candela distribution



Zonal lumen summary

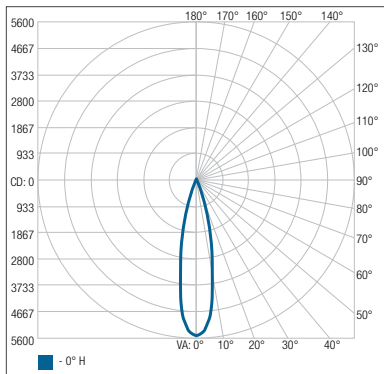
Zone	Lumens	% Fixture
0-30	796	86.9%
0-40	841.5	91.9%
0-60	887	96.8%
60-90	29.1	3.2%
70-100	14.3	1.6%
90-120	0	0%
0-90	916.2	100%
90-180	0	0%
0-180	916.2	100%

Illuminance at a distance



RDS-1080-XX-30K-N • 1145.2lm

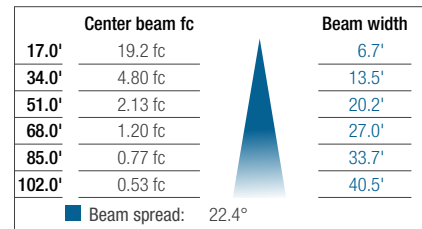
Polar candela distribution



Zonal lumen summary

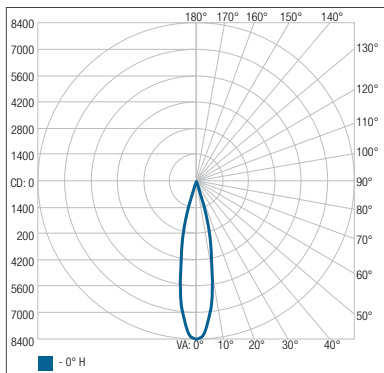
Zone	Lumens	% Fixture
0-30	995	86.9%
0-40	1051.9	91.9%
0-60	1108.8	96.8%
60-90	36.4	3.2%
70-100	17.9	1.6%
90-120	0	0%
0-90	1145.2	100%
90-180	0	0%
0-180	1145.2	100%

Illuminance at a distance



RDS-1580-XX-30K-N • 1717.0lm

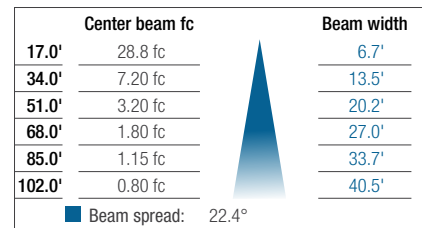
Polar candela distribution



Zonal lumen summary

Zone	Lumens	% Fixture
0-30	1491.7	86.9%
0-40	1577.0	91.9%
0-60	1662.3	96.8%
60-90	54.6	3.2%
70-100	26.9	1.6%
90-120	0	0%
0-90	1717.0	100%
90-180	0	0%
0-180	1717.0	100%

Illuminance at a distance



All products are subject to change or may be discontinued any time without notice.