

ALK-L

AREA LIGHT

Project: _____
 Type: _____
 Catalogue #: _____
 Drawn by: _____
 Date: _____

The ALK-L series delivers exceptional performance in a slim modern design. With an assortment of mounting options available, it can be used in multiple applications. A simple rotation of the lens allow to direct your light in three different directions. The ALK-L includes an easy-to-access driver compartment door: maintenance has never been so efficient! This high-end area light is a great addition to any commercial or industrial area lighting application.

FEATURES AND SPECIFICATIONS

• **Construction**

Housing

Die cast aluminum housing finished standard in a black or bronze powder coating with anti-corrosive finish. All configurations come standard with a 3 pin receptacle and shorting cap.

Mounting options

Different types of mounting bracket are available in option such as a pole arm (square or round), slipfitter, adjustable arm for a square pole and trunnion.

Optics

This luminaire is outfitted with a polycarbonate lens for even light distribution, and is offered in type III, IV and V distribution patterns. The lens is rotatable to allow for light distribution in various directions.

• **Electrical**

Driver allows input voltage from 120-277V AC 50/60Hz, or 347-480V AC 50/60Hz. All drivers are dimmable. Available in four lumens packages in either 75W to 230W.

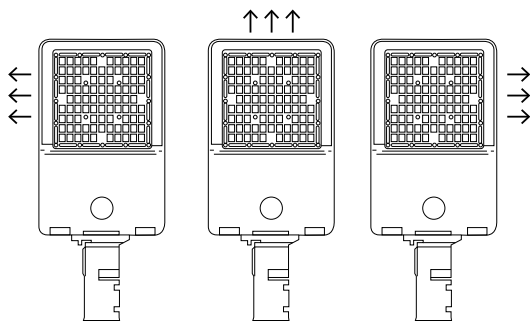
- 120-277V: 10kV surge protection, 0-10V;
- 347V: 4kV surge protection, 0-10V
- Ambient operating temperature range of -40°C to +40°C

• **Compliances**

- Meets requirements of ICES-005 for class B products
- Wet location
- IP66
- IK08
- cULus



EASY LIGHT DISTRIBUTION



Simply rotate the lens and get different light distribution in different directions.

EPA

S1 & S2					
	Single: 0.18	2 @ 90: 0.37	2 @ 180: 0.38	3 @ 90: 0.55	4 @ 90: 0.73
S3 & S4					
	Single: 0.23	2 @ 90: 0.49	2 @ 180: 0.59	3 @ 90: 1.54	4 @ 90: 1.87



Not all products are qualified on the DLC QPL. To view our DLC qualified products, please consult the DLC Qualified Products List at www.designlights.org/search.

OVERVIEW

Light source	LED
Wattage	75W - 230W
Lumens	11,607lm - 37,720lm
Lm/W	165lm/W - 170lm/W
Colour temperature	3000K - 4000K - 5000K
Weight	11-12 lbs

ORDERING GUIDE

ALK — L — — — — — / — — — — — / — — — — — / — — — — —

Series	Lamp type	Lumen package	Distribution type	Voltage	Colour temperature	Casting colour	Mounting options	Options
ALK	L - LED	S1 - 75W S2 - 115W S3 - 180W S4 - 230W	3 - Type III 3L - Type III Left 3R - Type III Right 4 - Type IV 4L - Type IV Left 4R - Type IV Right 5 - Type V	W - 120-277V H - 347-480V	30K - 3000K 40K - 4000K 50K - 5000K	BK - Black (standard) BZ - Bronze (standard) WH - White GY - Grey SP- Special colour	PA6 - 6" square pole arm PA6R - 6" round pole arm A - Slipfitter TR - Yoke mount AR - Adjustable arm for square pole	PR7 - 7 pin photocell receptacle only KV ¹ - 10kV surge protection OSI-PB-1001 ² - Occupancy sensor

¹ Apply only for 347-480V as it's come standard in 120-277V
² Please consult the occupancy sensor section for the specifications

OCCUPANCY SENSOR

Part number	Position	Voltage	Technology	Height	Detection Area	Hold time	Stand-by dim level	Daylight min level	Remote	Location
OSI-PB-1001	Interne	120-347V	PIR	40ft max	100%	15 min	50%	Disable	OSI-FSIR-100*	Wet, -40°C to 75°C

* To be ordered separately

LUMEN CHART

General specifications													Lumen maintenance							
Package	Type of distrib.	Input voltage (V)	LED current (A)	System power (W)	Lumen	LM/W	CRI	Lumen	LM/W	CRI	Lumen	LM/W	CRI	PF	THD	BUG	Reported L70	Calculated TM21	LM 80 @ (Hrs)	
					3000K			4000K			5000K									
S1	Type III	120-277	0.616-0.280	75	11 607	157	73.1	11 779	158	73.1	11 952	161	73.1	0.94	7.96%	B2-U1-G2	36 000	153 400	12 000	
		347	0.225	75	12 630	164	72.6	12 394	165	72.6	12 428	165	72.6	0.87	12.97%		36 000	153 400	12 000	
	Type IV	120-277	0.616-0.280	75	12 600	168	70	12 720	170	70	12 840	171	70	0.94	7.96%	B3-U0-G2	36 000	153 400	12 000	
		347	0.225	75										0.87	12.97%		36 000	153 400	12 000	
	S2	Type V	120-277	0.616-0.280	75	11 654	157	70	11 776	158	70	11 949	161	70	0.94	7.96%	B4-U0-G2	36 000	153 400	12 000
			347	0.225	75	12 622	165	70	12 685	166	70	12 721	166	70	0.87	12.97%		36 000	153 400	12 000
Type III		120-277	0.961-0.425	115	18 196	155	70	18 388	156	70	18 657	159	70	0.96	8.73%	B3-U0-G2	36 000	153 400	12 000	
		347	0.343	115	18 082	155	70	18 282	155	70	18 332	156	70	0.92	12.36%		36 000	153 400	12 000	
Type IV		120-277	0.961-0.425	115	18 975	165	70	19 205	167	70	19 435	169	70	0.96	8.73%	B3-U0-G3	36 000	153 400	12 000	
		347	0.343	115										0.92	12.36%		36 000	153 400	12 000	
S3	Type V	120-277	0.961-0.425	115	18 207	155	70	18 399	156	70	18 668	159	70	0.96	8.73%	B4-U0-G2	36 000	153 400	12 000	
		347	0.343	115	18 334	156	70	18 426	157	70	18 477	157	70	0.92	12.36%		36 000	153 400	12 000	
	Type III	120-277	1.537-0.677	180	29 646	162	70	29 956	163	70	30 395	166	70	0.95	6.64%	B3-U0-G3	36 000	153 400	12 000	
		347	0.535	180	29 508	164	70	29 655	165	70	29 738	165	70	0.9	12.66%		36 000	153 400	12 000	
	Type IV	120-277	1.537-0.677	180	29 700	165	70	30 060	167	70	30 420	169	70	0.95	6.64%	B3-U0-G4	36 000	153 400	12 000	
		347	0.535	180										0.9	12.66%		36 000	153 400	12 000	
S4	Type V	120-277	1.537-0.677	180	29 663	162	70	29 974	164	70	30 413	166	70	0.95	6.64%	B5-U0-G4	36 000	153 400	12 000	
		347	0.535	180	29 741	165	70	29 889	166	70	29 973	166	70	0.9	12.66%		36 000	153 400	12 000	
	Type III	120-277	1.996-0.847	230	36 426	156	70	36 809	158	70	37 348	160	70	0.97	11.08%	B4-U0-G3	36 000	153 400	12 000	
		347	0.678	230	36 491	158	70	36 674	159	70	36 776	159	70	0.93	10.77%		36 000	153 400	12 000	
	Type IV	120-277	1.996-0.847	230	36 800	160	70	37 260	162	70	37 720	164	70	0.97	11.08%	B4-U0-G4	36 000	153 400	12 000	
		347	0.678	230										0.93	10.77%		36 000	153 400	12 000	
Type V	120-277	1.996-0.847	230	36 449	156	70	36 831	158	70	37 371	160	70	0.97	11.08%	B5-U0-G4	36 000	153 400	12 000		
	347	0.678	230	36 780	159	70	36 964	160	70	37 067	161	70	0.93	10.77%		36 000	153 400	12 000		

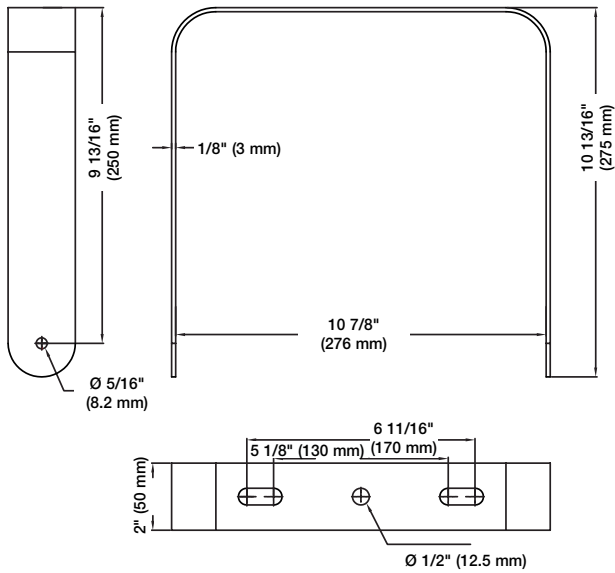
Comments

DIMENSIONS

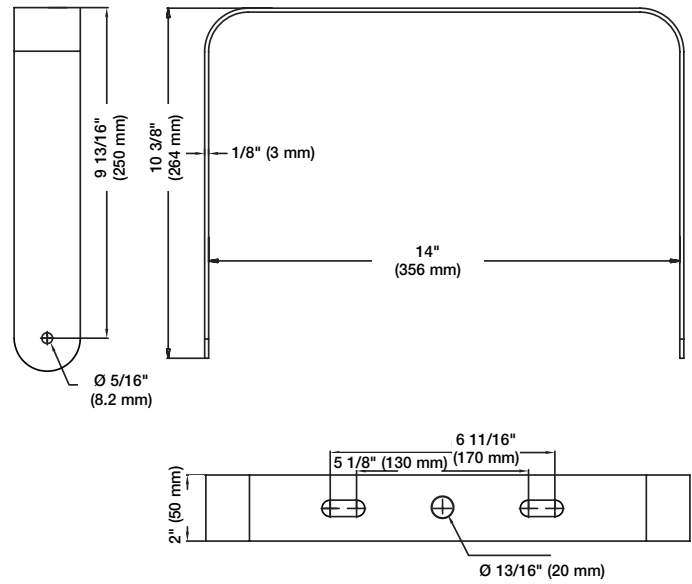
Wattage (W)	Dimensions
75 and 115	24"x11"x3"(600x270x78mm)
180 and 230	27"x14"x3"(694x350x78mm)

TECHNICAL DRAWINGS

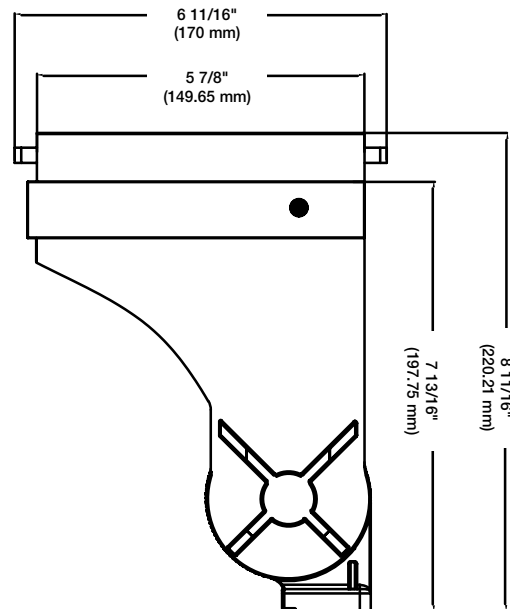
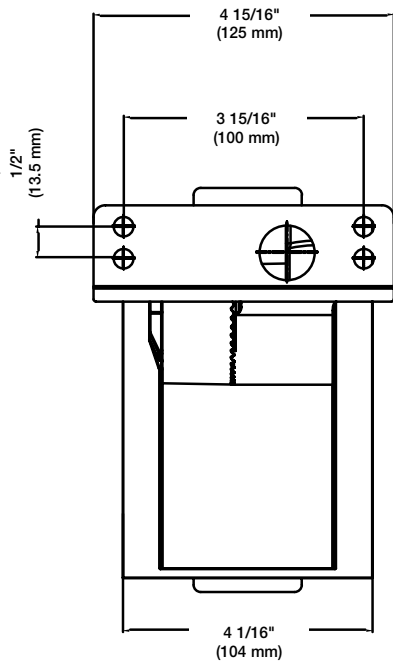
Yoke
Small U shape bracket (TR)



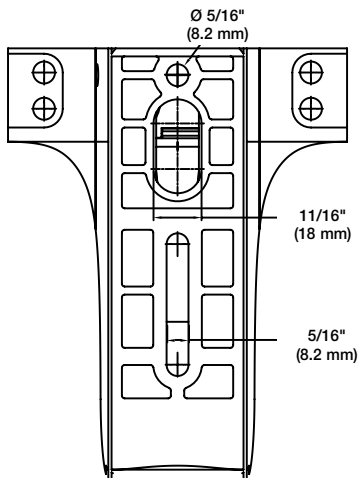
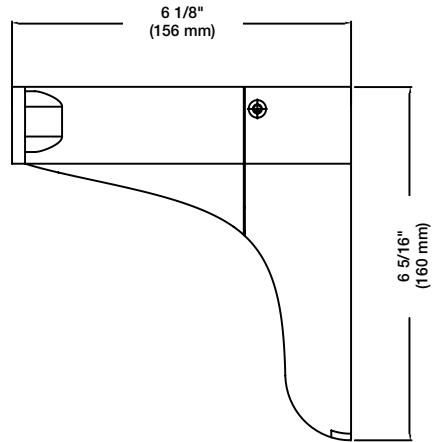
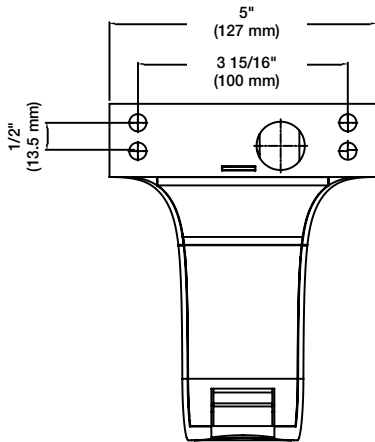
Yoke
Large U shape bracket (TR)



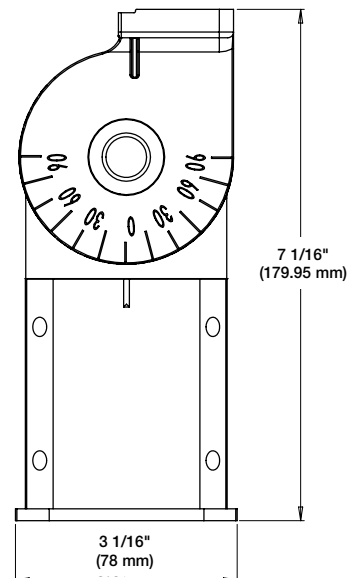
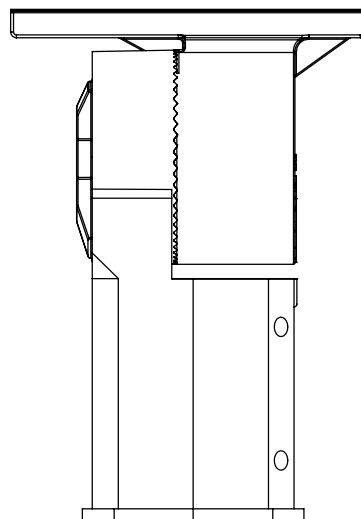
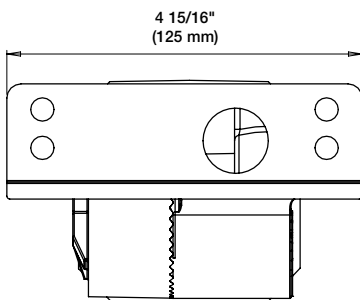
Adjustable arm mount for square pole (AR)



Pole mount (PA6 or PA6R)



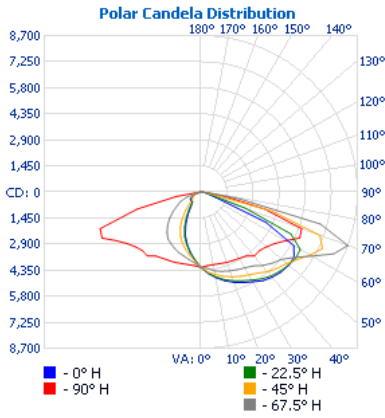
Slipfitter (A)



PHOTOMETRIC DATA

ALK-LS23-W-40K-XX • 18 275.8lm

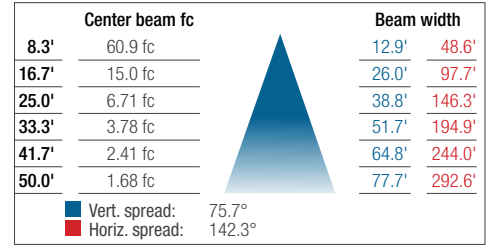
Polar candela distribution



Zonal lumen summary

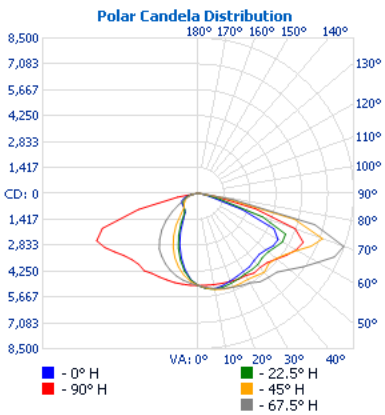
Zone	Lumens	% Fixture
0-30	3,377.5	18.5%
0-40	5,771.1	31.6%
0-60	12,170.5	66.6%
60-90	6,105.3	33.4%
70-100	2,340.7	12.8%
90-120	0	0%
0-90	18,275.8	100%
90-180	0	0%
0-180	18,275.8	100%

Illuminance at a distance



ALK-LS24-W-40K-XX • 19 198.4lm

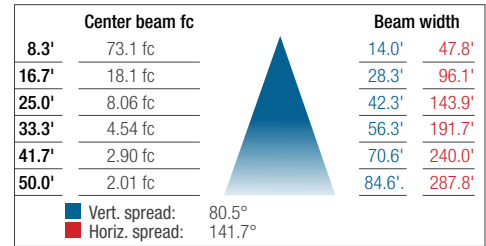
Polar candela distribution



Zonal lumen summary

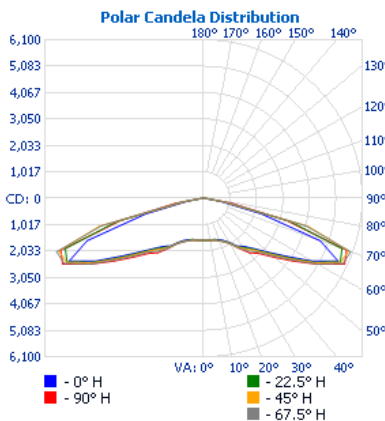
Zone	Lumens	% Fixture
0-30	3,832.2	20%
0-40	6,333.7	33%
0-60	12,627.0	65.8%
60-90	6,571.4	34.2%
70-100	2,734.0	14.2%
90-120	0	0%
0-90	19,198.4	100%
90-180	0	0%
0-180	19,198.4	100%

Illuminance at a distance



ALK-LS25-W-40K-XX • 18 407.5lm

Polar candela distribution



Zonal lumen summary

Zone	Lumens	% Fixture
0-30	1,488.6	8.1%
0-40	2,932.8	15.9%
0-60	8,898.6	48.3%
60-90	9,508.9	51.7%
70-100	3,946.2	21.4%
90-120	0	0%
0-90	18,407.5	100%
90-180	0	0%
0-180	18,407.5	100%

Illuminance at a distance

